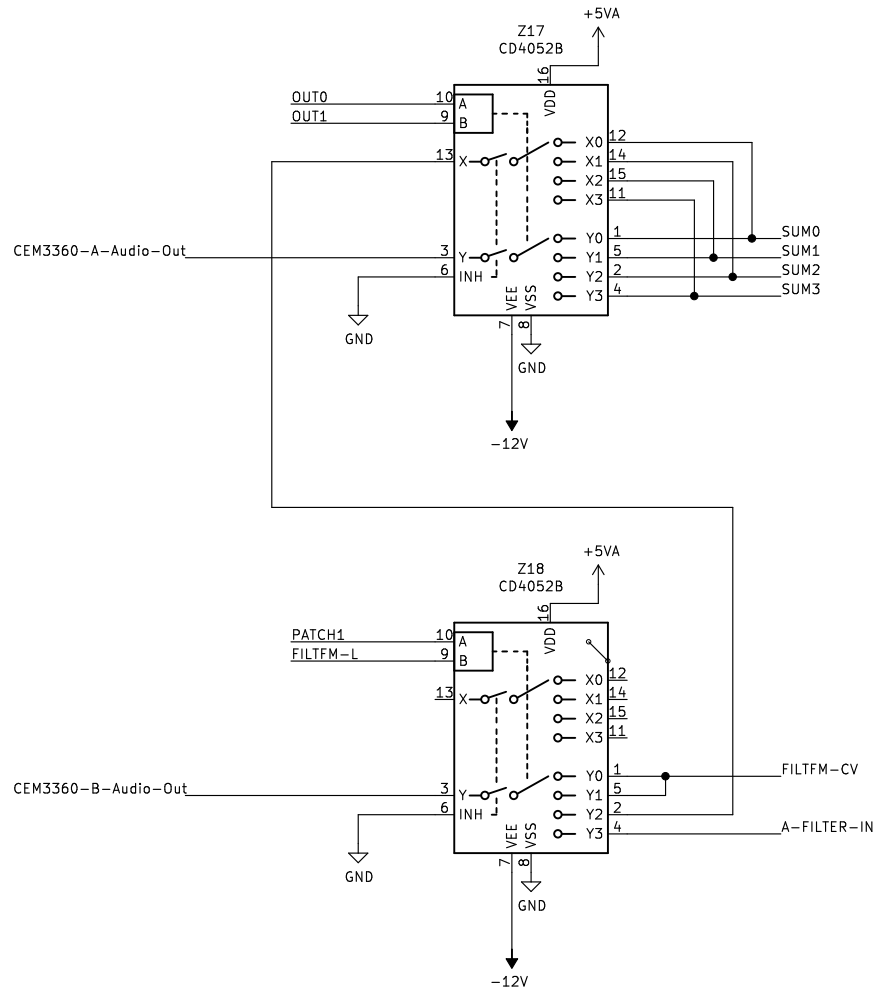


Original



Modified

Sheet: /		File: Chroma-pseudo-stereo-mod.sch	
<b>Title: Chroma Card pseudo stereo mod</b>			
Size: A4	Date:	Rev:	
KiCad E.D.A. kicad (5.1.6)-1		Id: 1/1	